



For Maintenance &
Troubleshooting Videos



Table of Contents

1. Safety Notice	2-3
2. Install Diagram	4
3. Equipment Operation	4-6
4. Media Winding	7
5. Equipment Maintenance	8

1. Safety Notice

1.1. Safety mark:

Dear customers:

Greeting! Thanks for using our product, in order to better read this manual and use this machine, please look through the following explanation of the marks in this manual.



CAUTION

Users must draw attention to content have this mark, if not damage or lost may be caused by improper operation.

1.2. Product description:

This machine have large power, high temperature, Users are requested to provide industrial electricity and places that are suitable for this device, in order to better use the machine please know about the machine's following specification.

Specifications:

Rated Voltage: 110V

Actual Current: 19.1A

Rated Power: 3KW

Machine Weight: 176.37lb

Packaging Weight: 264.6lb

Overall dimension: 43.70"D x 22.8"W x 38.54"H

111D x 100W x 98H cm

Package: 34.25"D x 44.1"W x 43.82"H

87D x 112W x 111.3H cm

1.3. Notice before starting it:



CAUTION

1.3. 1 Be careful of electric shock! be sure the machine is well grounded before start it. Otherwise body injure could be happened.

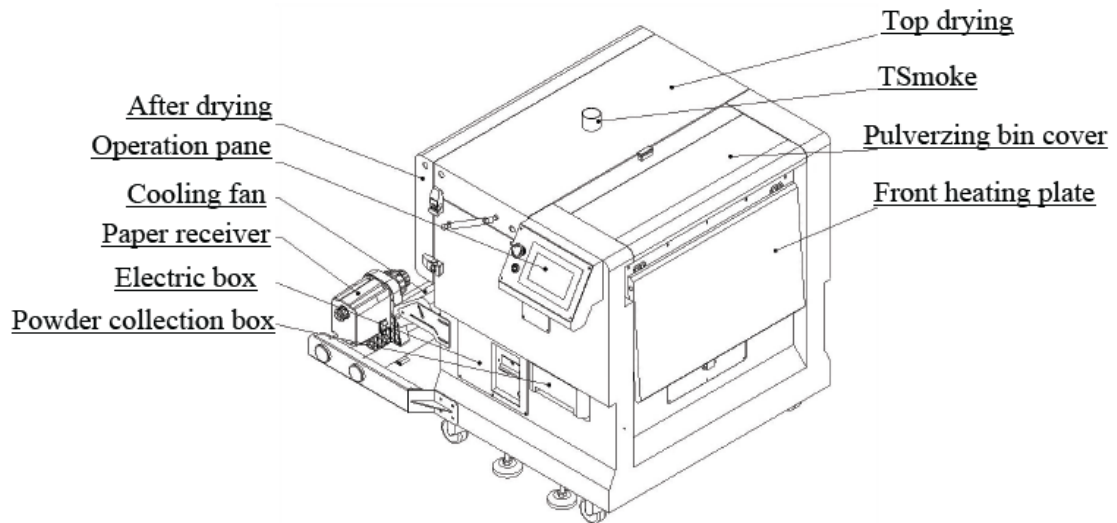
1.3. 2 Power supply must match the heater's, the line must meet the specification.

1.3. 3 Check whether the line connect well and standard or not.

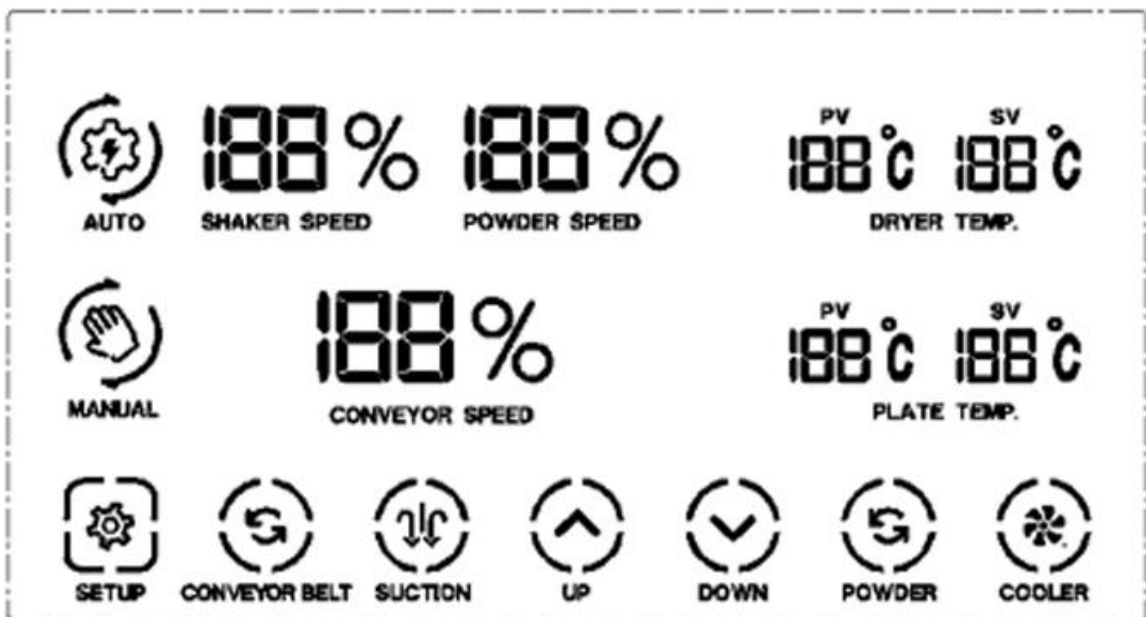
Special attention: null line must connect correctly.

1.3. 4 For those who are sensitive to static electricity, please pay attention to personal protective measurs when operating the equipment.

2. Installation Diagram



3. Equipment Operation



3.1. Confirm that the external power supply of the equipment is connected (AC110v50 / 60Hz).

3.2. Confirm that the grounding wire should be firmly grounded.

3.3. Align the printer with the powder shaker before use (to reduce the problem of material deviation during receiving)

3.4. Fix the material on the feeder and put it into the printer for printing. See "winding method" for specific operation.

3.5. Turn on the "main power switch" of the lower right control box.

3.6. Function setting: You can set the function by clicking on the screen. When you click the shaking speed, the shaking speed will flash, and then set the shaking speed by "plus" and "minus". Click the dusting speed on the screen, the speed of the guide belt, the heating setting of the upper drying, the heating setting of the front guide plate and other speed and temperature settings. After setting, click again to make the current setting not flashing to complete the setting.

3.7. Turn off and on settings of the shaking powder function: long press the "Shaking Powder Speed" button to turn off or turn on the "Shaking Powder Speed". status.

3.8. Setting for closing and opening the dusting function: click the second key "POWDER" in the lower right corner to select forward, reverse and close.

3.9. Setting for closing and opening the guide belt function: press the second key "CONVEYOR BELT" in the lower left corner to select forward, backward and close.

3.10. Turn off and turn on the upper drying heating function: long press the "set" button in the upper drying heating setting to turn off or turn on the heating. When the display is "one by one", it is in the off state, and then long press "set" to turn on the heating.

3.11. Turn off and turn on the heating function of the front guide plate: long press the "SET" button in the setting of the front guide plate to turn off or turn on the heating. When the display is "one by one", it is in the off state, and then long press "set" to turn on the heating.

3.12. Cooling fan function off and on setting: click the "COOLER" key in the lower right corner to select on or off.

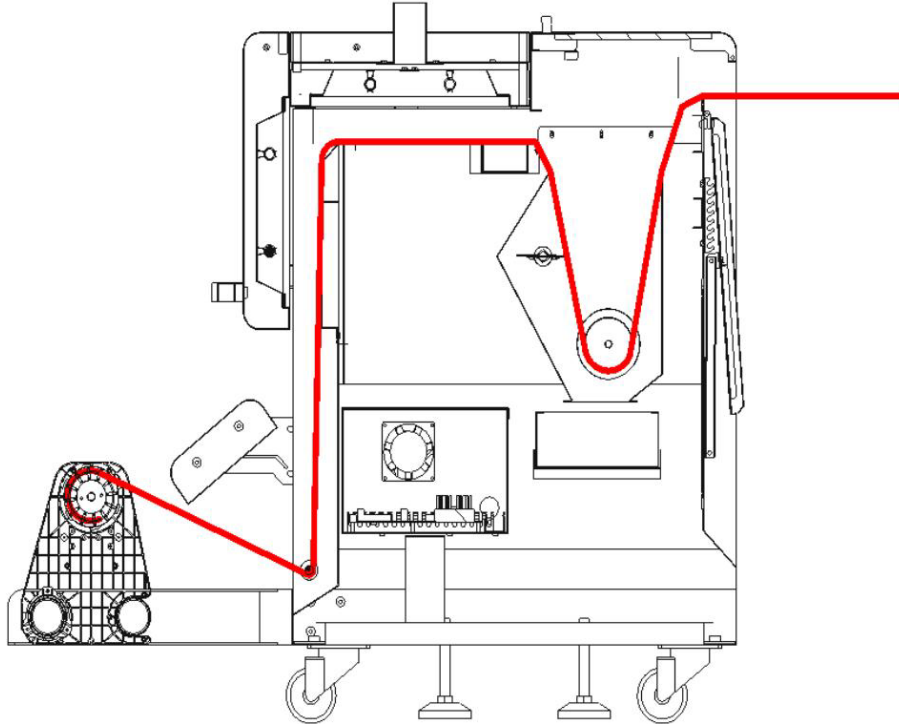
3.13. After adjusting the above functions, powder shaking and color fixing can be carried out.

3.14. Upper drying temperature setting:
100 °C/212 °F - 170 °C/338 °F (the specific temperature is set according to the melting point of the powder)

3.15. The temperature of the front guide heating plate is set to about 60 °C/140 °F - 80 °C 176 °F.

3.16. Turn off all "heating switches" after film fixation.

4. The film winding method:



4.1. Lead the media into powder box, though outside powder bar, then cross the space between up dryer and platform dryer, wind the media to the paper tube of the take up winder, the winding operation complete.

Attention: must make sure that the cloth smooth and no fold, the edge of cloth are level on both side of the machine (front and back).

5. Equipment Maintenance:

- 5.1.** Disconnect the external power supply when repairing or cleaning the machine.
- 5.2.** Clean the residual powder on the wall of the powder shaking chamber after finishing the goods every day.
- 5.3.** Clean the powder shaking film.
- 5.4.** Clean the remaining powder of the panel.
- 5.5.** Clean the powder on the positioning shaft.
- 5.6.** The control box shall be cleaned regularly to keep dry.
- 5.7.** When the powder shaker is in use, the upper cover of the powder shaking cavity is closed to prevent the rubber powder from flying into the guide belt when adding powder, and also reduce the voice.
- 5.8.** When adding powder, the action range shall not be too large to prevent the rubber powder from flying onto the guide belt and entering the air suction platform. The guide belt and the suction platform remain on the platform after the rubber powder enters and are bonded with the guide belt. After cooling, the guide belt will stick to the suction platform, causing the motor to burn out or the guide belt to deform.